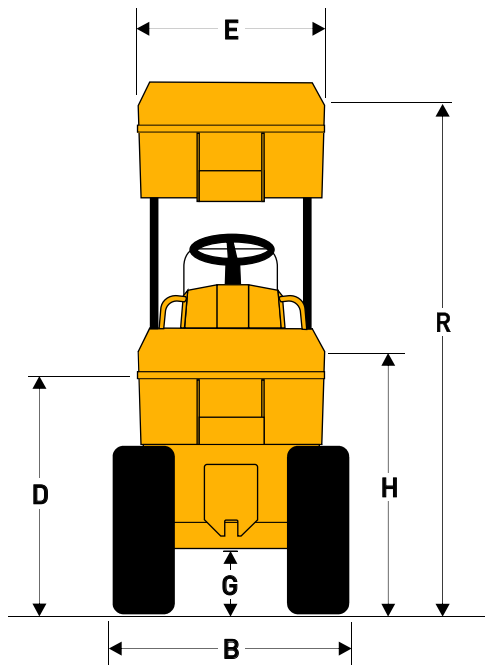
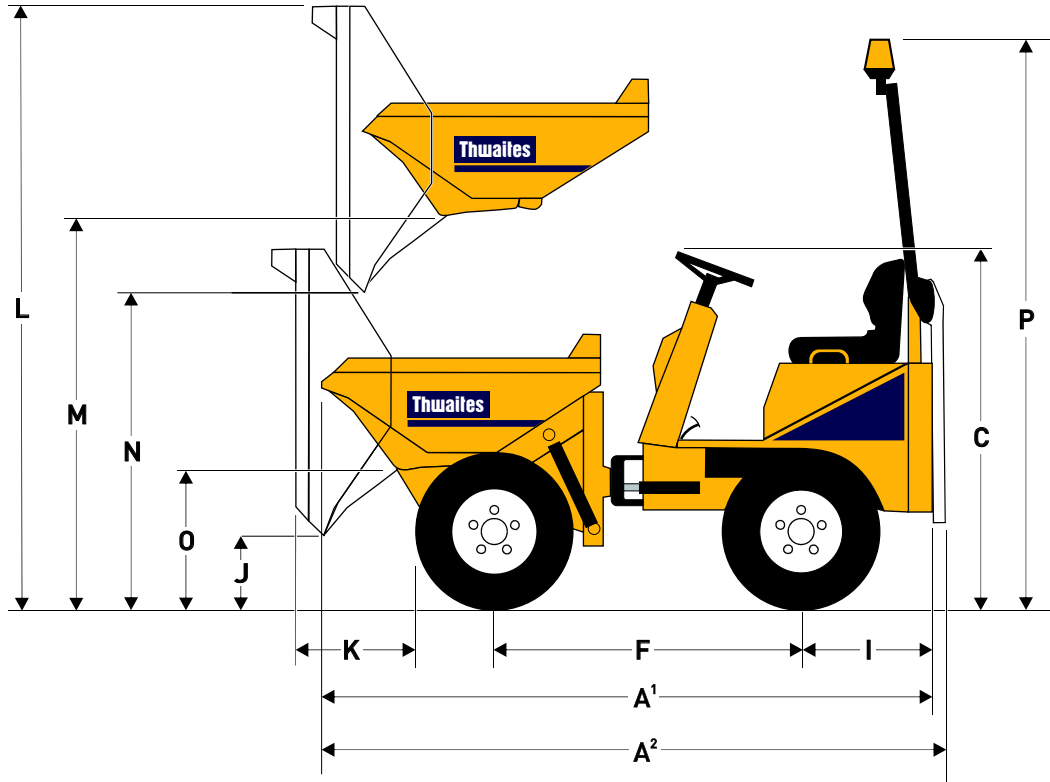


► SPECIFICATIONS

1 Tonne Hi-Tip Hydrostatic

MACH201



**Dimensions
(mm)**

A ¹	3032
A ²	3192
B	1115 (982*)
C	1773
D	1155
E	982
F	1500
G	274
H	1262
I	654
J	346
K	505
L	3005
M	1913
N	1573
O	720
P	2860
R	2370

*with optional narrow wheels