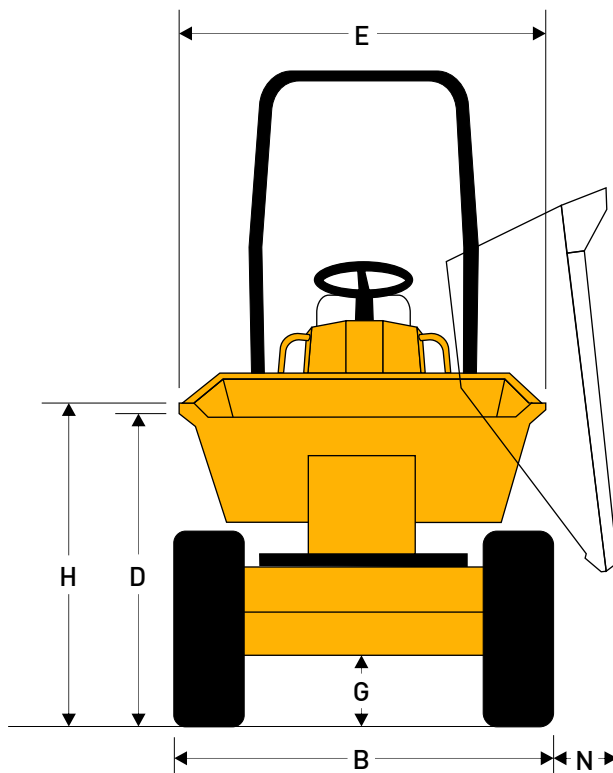
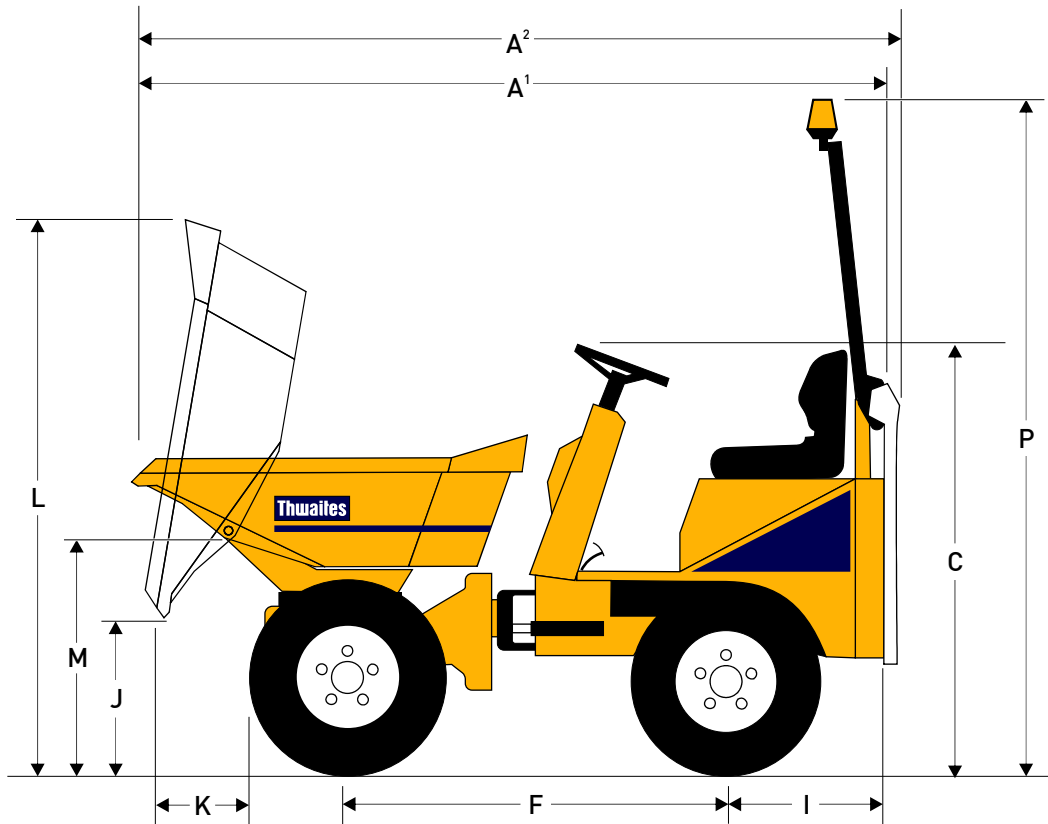


► SPECIFICATIONS

1 Tonne Powerswivel Hydrostatic

MACH202



Dimensions
(mm)

A ¹	3062
A ²	3222
B	1195
C	1773
D	1204
E	1151
F	1500
G	274
H	1256
I	654
J	642
K	461
L	2244
M	901
N	154
P	2860