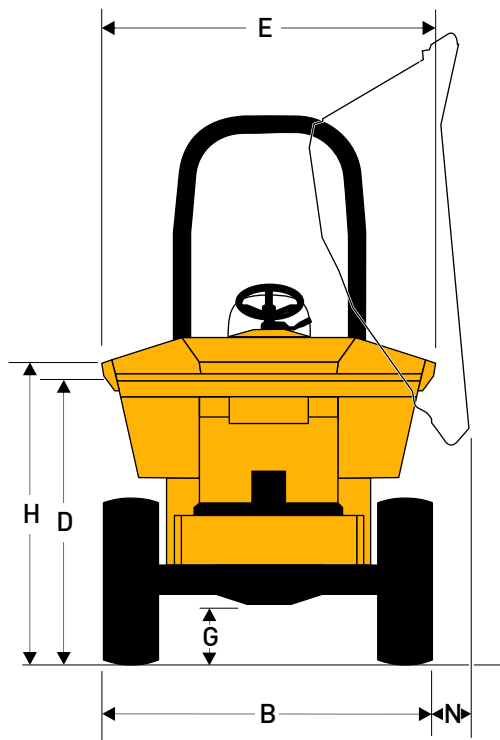
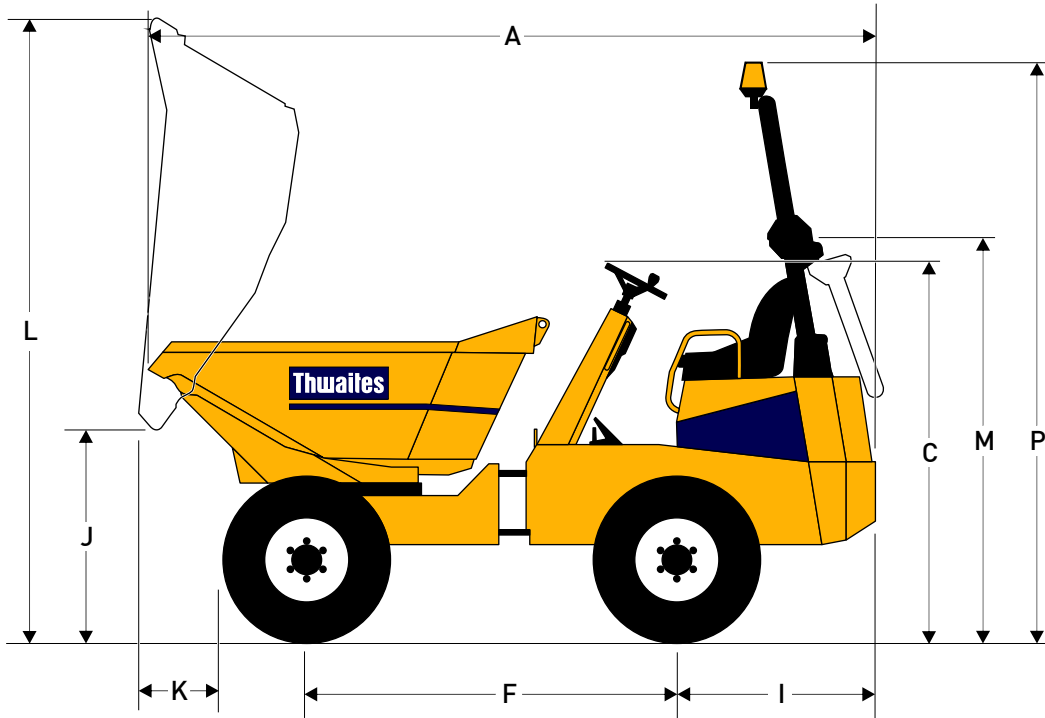


► SPECIFICATIONS

# 4.5 Tonne Powerswivel Hydrostatic

MACH444



**Dimensions  
(mm)**

A	4107
B	1840
C	2040
D	1595
E	1859
F	1980
G	310
H	1710
I	1130
J	1068
K	422
L	3408
M	2180
N	220
P	3210