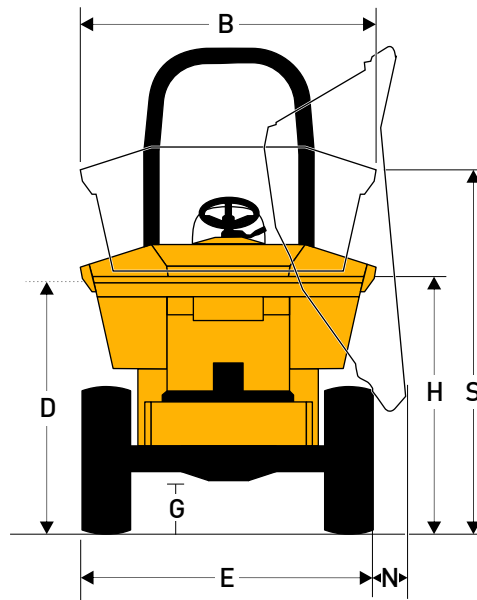
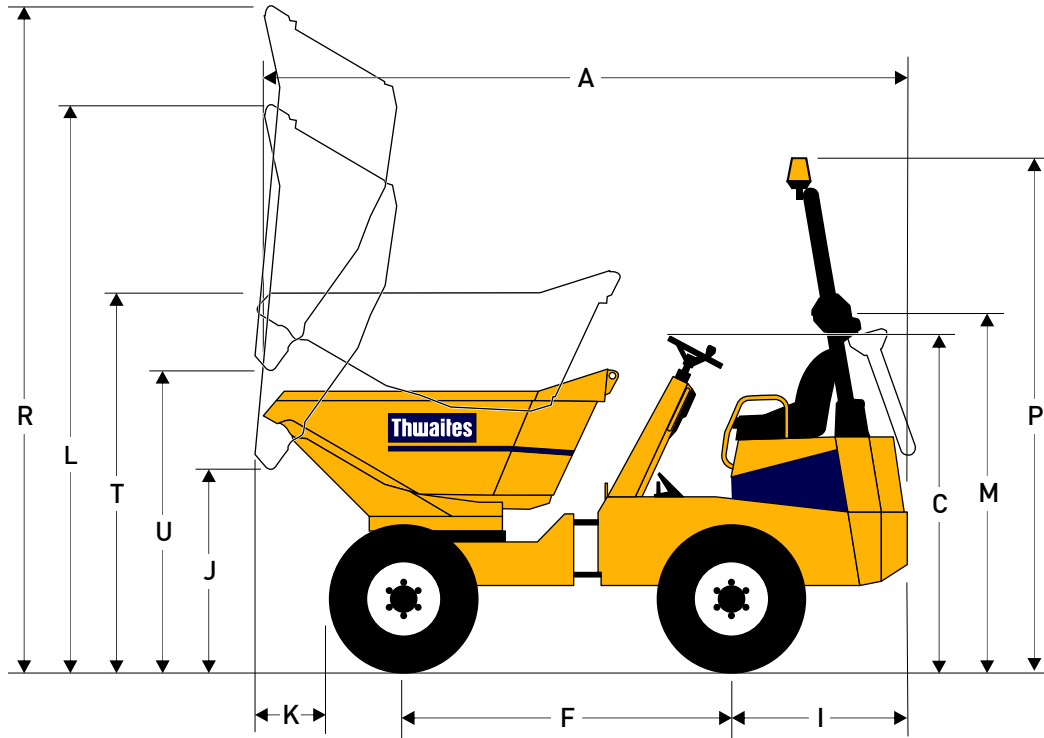


► SPECIFICATIONS

# 3 Tonne Hi-Swivel Hydrostatic

MACH475



Dimensions  
(mm)

A	3972
B	1770
C	2013
D	1600
E	1750
F	1980
G	280
H	1650
I	1130
J	1260
K	361
L	3440
M	2120
N	220
P	3140
R	4030
S	2240
T	2170
U	1850

Load-over height: Skip down - 1395 mm  
Skip up - 2000 mm