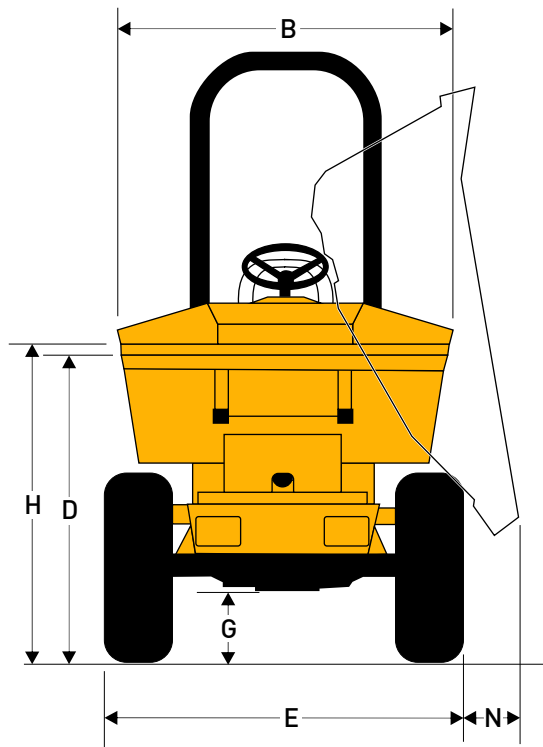
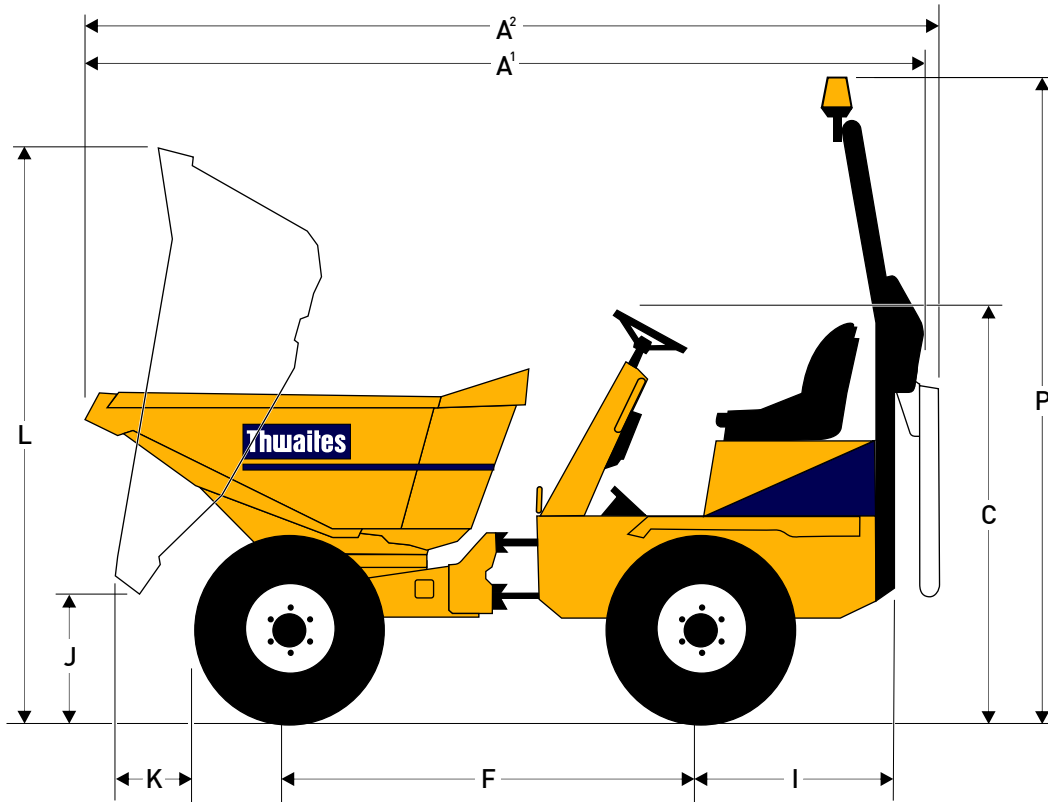


► SPECIFICATIONS

# 2.3 Tonne Powerswivel Hydrostatic

MACH477



**Dimensions  
(mm)**

A <sup>1</sup>	3735
A <sup>2</sup>	3900
B	1475
C	1910
D	1340
E	1467
F	1850
G	275
H	1400
I	1032
J	712
K	430
L	2655
N	268
P	3037